

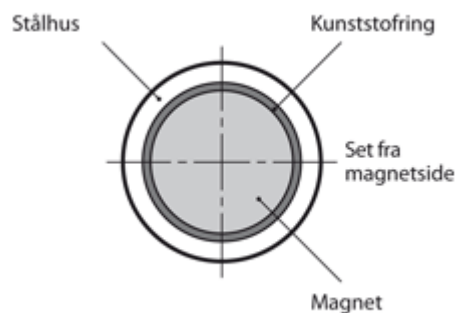
# Data Sheet



Article number: 201221384C

Description: E+G Magnet - female thread GN 50.2-SC-8-M3  
SC Samarium cobalt, 200°C, 11N

## Measures



d1 = 8 ±0,1

d2 = M3x7

d3 = 6 ±0,1

h = 4,5 ±0,1

Holding force N = 11

Material = SC Samarium cobalt - 200° C

t = 6